

## RD-54N/NP-F2

800-2500 Wideband 4-Way Power Divider

### Features

- Wideband 800-2500MHz.
- 200W High Power.
- Low Intermodulation.
- Low Loss, flat response and good balance.
- Option for 7/16 Din Female (RD-54D/DP-F0).



### Product Description

The RD-54N/NP-F2 is a wideband power divider specifically designed to operate in all cellular frequency bands from 800-2500MHz, including WLAN. The product is particularly suited for power division in inbuilding systems.

### Technical Specifications

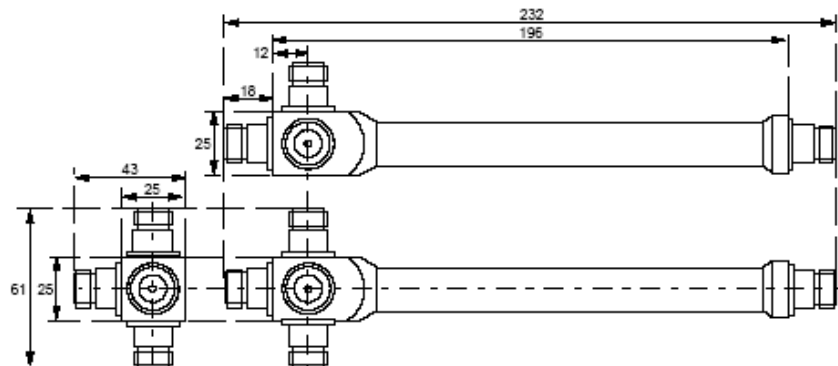
#### Electrical

Frequency Range – [MHz]	800-2500
Splitting Loss – [dB]	6.0
Dissipative Loss – [dB]	< 0.1
	: 800-2200
	: 2200-2500
VSWR (Input)	< 1.20:1
Impedance – [ohm]	50

#### Mechanical

Dimension (incl. conn) LxWxH – [mm]	232 x 61 x 43
Housing Material	Aluminium
Housing Colour	Chrome plated, RAL428U
Weight – [g]	500
Connector Type - Input	N-Female or 7/16 Din Female
Connector Type - Output	N-Female or 7/16 Din Female
Temperature Range – [°C]	-35 to +75
Operating Humidity – [%]	< 95
Environmental Class	Indoor

### Mechanical Outline Drawing



Note: Drawing shown with N-Female connectors.