

## RD-52N/NP-F2

800-2500 Wideband 2-Way Power Divider

### Features

- Wideband 800-2500MHz.
- 200W High Power.
- Low Intermodulation.
- Low Loss, flat response and good balance.
- Option for 7/16 Din Female (RD-52D/DP-F0).



### Product Description

The RD-52N/NP-F2 is a wideband power divider specifically designed to operate in all cellular frequency bands from 800-2500MHz, including WLAN. The product is particularly suited for power division in inbuilding systems.

### Technical Specifications

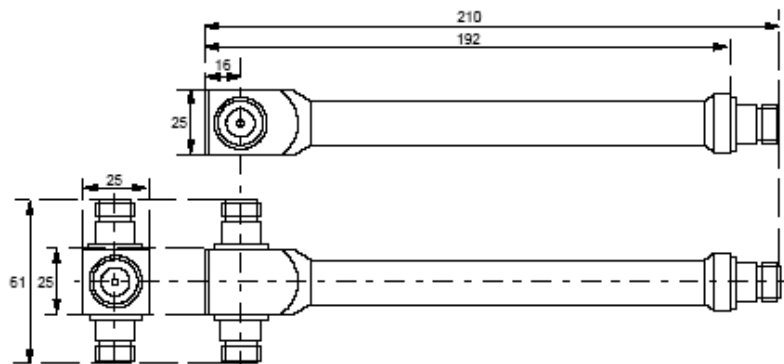
#### Electrical

Frequency Range - [MHz]	800-2500
Splitting Loss - [dB]	3.0
Dissipative Loss - [dB]	
: 800-2200	< 0.1
: 2200-2500	< 0.2
VSWR (Input)	< 1.20:1
Impedance - [ohm]	50

#### Mechanical

Dimension (incl. conn) LxWxH - [mm]	210 x 61 x 25
Housing Material	Aluminium
Housing Colour	Chrome plated, RAL428U
Weight - [g]	380
Connector Type - Input	N-Female or 7/16 Din Female
Connector Type - Output	N-Female or 7/16 Din Female
Temperature Range - [°C]	-35 to +75
Operating Humidity - [%]	< 95
Environmental Class	Indoor

### Mechanical Outline Drawing



Note: Drawing shown with N-Female connectors.