

Connector Technology Parameter

一. 7/16M-1-5/8" F international standard: IEC60169-4: 1996

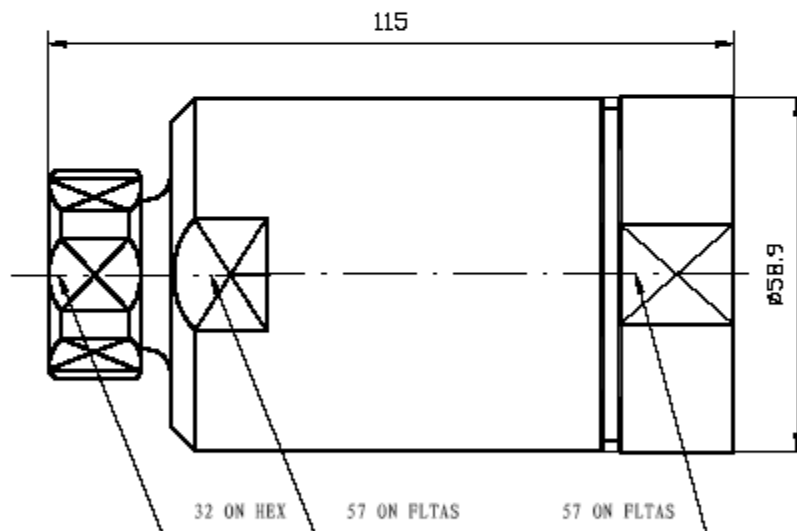
二. Connector

a. Material and plating :

outer conductor	material: C3602	Plating Copper tin-zin $\geq 3\mu\text{m}$
inner conductor	material: C3602	Plating Ag $> 5\mu\text{m}$
nut	material: HPb59-1	Plating Ni $> 5\mu\text{m}$
insulator	material: PTFE	

b. Work conduction: Operating Temp.range (°C): -40~+85

c. Fig:



三.Spec:

Performance Specification	7/16 (DIN) /AFB14-1
Retention	$\geq 5.88N$
Torque	50N.m
Machine wear	>1000
Screw cap pull	>1000N
Insert loss (dB)	<0.05
Ac break down Voltage (Kv/50Hz)	4
Intermodulation (dBc)	<-160
Connect resistance (m Ω)	Outer conductor <0. 2
	Inner conductor <0. 8
Insulation resistance (M Ω)	>10 ⁴
Work Voltage (V)	2700
Screen efficiency (dB)	>110
VSWR (3G)	≤ 1.1
Impedance (Ω)	50
Surface	Smooth surface,without burrs,rust and mechanical damage
Installation	Quick,conbenient and safe
Porcuct life	More than ten years