

Connector Technology Parameter

一. 7/16F-7/8"F international standard: IEC60169-4: 1996

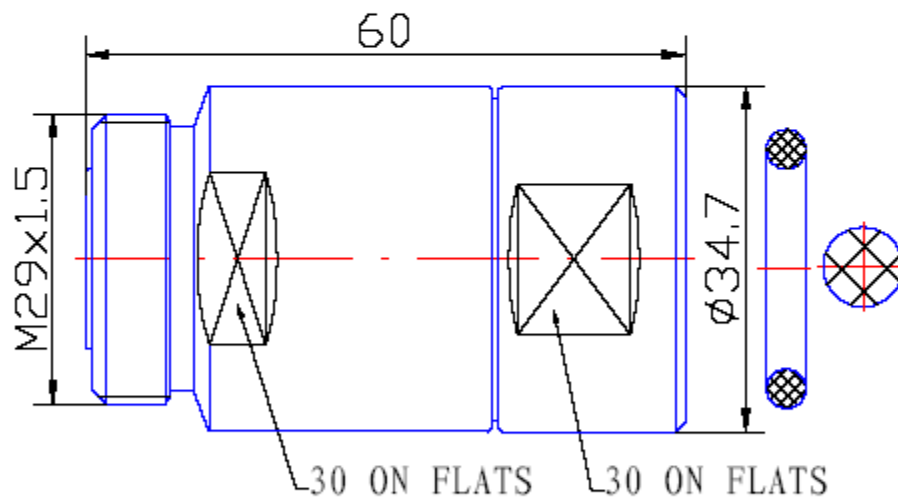
二. Connector

a. Material and plating :

outer conductor	material: C3602	Plating Copper tin-zin $>3\mu\text{m}$
inner conductor	material: QBe2	Plating Ag $>5\mu\text{m}$
insulator	material: PTFE	

b. Work conduction: Operating Temp.range (°C): -40~+85

c. Fig:



三.Spec:

Performance Specification	7/16 (DIN) /AFB2-9
Retention	$\geq 5.88\text{N}$
Torque	50N.m
Machine wear	>1000
Screw cap pull	$>1000\text{N}$
Insert loss (dB)	<0.05
Ac break down Voltage (Kv/50Hz)	4
Intermodulation (dBc)	<-163
Connect resistance (m Ω)	Outer conductor <0.2
	Inner conductor <0.8
Insulation resistance (M Ω)	$>10^4$
Work Voltage (V)	2700
Screen efficiency (dB)	>110
VSWR (3G)	≤ 1.1
Impedance (Ω)	50
Surface	Smooth surface,without burrs,rust and mechanical damage
Installation	Quick,conbenient and safe
Porcuct life	More than ten years